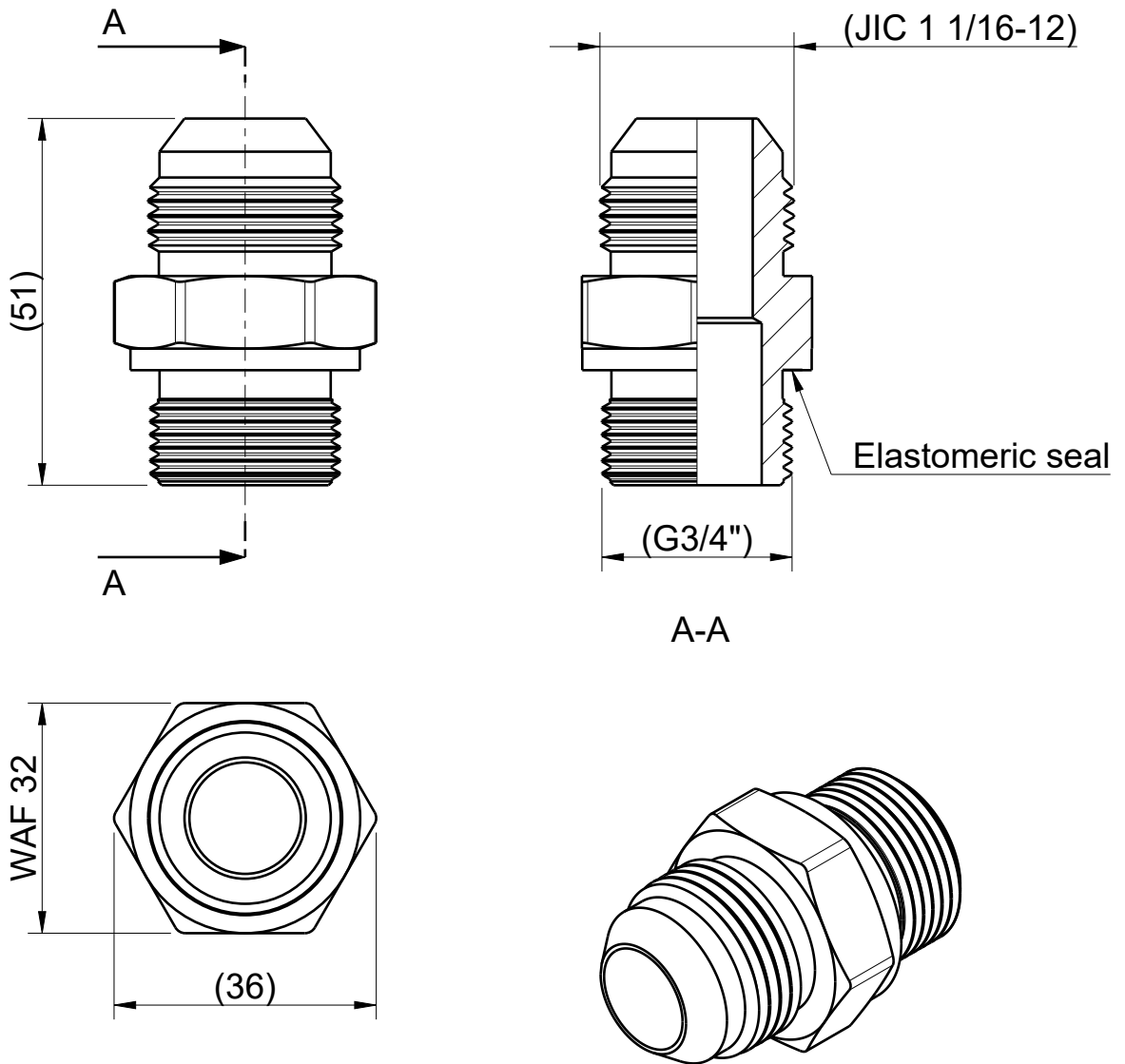


1	2	3	4
Rev.	Change Note	ECO Des.	ECO/RO - Date
			Appr.

-			
-			
-			



File	Ver.	Category
Object	1.3	HYD_COMPONENT
Dwg	1.3	

Connector SAE J514 12 - Stud end ISO 1179-2 - G3/4 A-S
 Manufacturing according to VAB STD 09-401

This document must not be copied without our written permission, and the contents thereof must not be imparted to a third party nor be used for any unauthorized purpose. Contravention will be prosecuted. Väderstad AB

Material		Material description		Material dimension		Note	
For Holes		Designer	Examiner	Approved First Release		Proj.	ECO
Size ISO 14405 (GX)		simwar	erijo	20240610 guma689			24398
According to standard		Description		Date Created		Scale	Format
VAB STD 06-001:2022		Adapter		2023-05-29		1:1	A4
		Adapter		State		Weight (kg)	
		DO: JIC 1 1/16-12 DO: 3/4"		Released		0.128	
				Art.no.		SR	NUFO
				30001685		-	-
				Rev.		Sheet	
				1		1/1	